

THC-B130 3 MP EXIR Bullet Camera



Key Features

- 3 MP high-performance CMOS
- 2052 × 1536 resolution
- 2.8 mm, 3.6 mm, 6 mm fixed focal lens
- Day/Night switch
- EXIR 2.0, smart IR, up to 20 m IR distance
- IP66

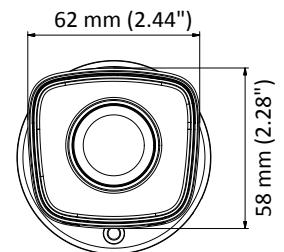
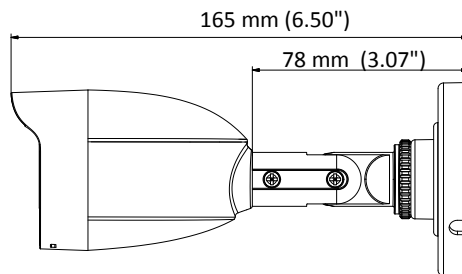
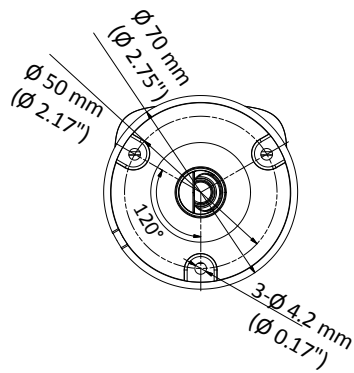
Specifications

Camera	
Image Sensor	3 MP CMOS image sensor
Signal System	PAL/NTSC
Effective Pixels	2052 (H) × 1536 (V)
Min. illumination	0.01 Lux@(F1.2, AGC ON), 0 Lux with IR
Shutter Time	1/25 (1/30) s to 1/50,000 s
Lens	2.8 mm, 3.6 mm, 6 mm
Horizontal Field of View	92° (2.8 mm), 70.9° (3.6 mm), 56.7° (6 mm)
Lens Mount	M12
Day & Night	IR cut filter
Angle Adjustment	Pan: 0° to 360°, Tilt: 0° to 180°, Rotation: 0° to 360°
Synchronization	Internal synchronization
Video Frame Rate	1920 × 1536@18fps
HD Video Output	1 analog HD output
General	
Operating Conditions	-40 °C to 60 °C (-40 °F to 140 °F), Humidity: 90% or less (non-condensation)
Power Supply	12 VDC ±15%
Power Consumption	Max. 4 W
Protection Level	IP66
Material	Metal
IR Range	Up to 20 m
Dimensions	165 mm × 62 mm × 58 mm (6.50" × 2.44" × 2.28")
Weight	400 g (0.88 lb.)

Order Model

THC-B130

Dimensions



Accessories



DS-1280ZJ-XS
Junction Box



DS-1H18
Video Balun